

vibration dampers
series Hill-Mounts



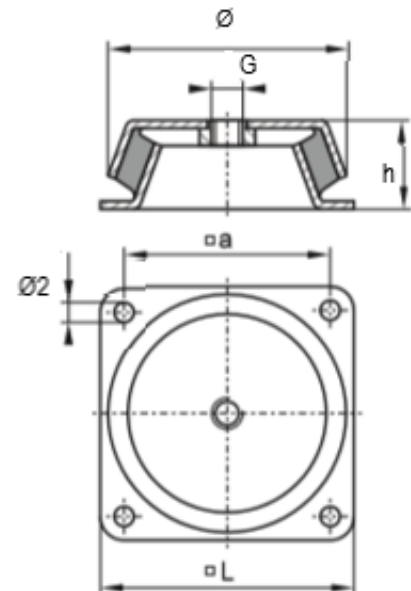
vibration dampers series Hill-Mounts

These bolt-on vibration dampers are suitable for the installation of motors, compressors, pumps, power generators, presses, plastic-injection molding machines, printing- and textile machinery and other heavy production equipment and aggregates. Where passive isolation is required, metrology equipment, scales and optical devices are isolated against inward-directed vibrations.

The higher horizontal rigidity of these dampers - as compared to their vertical rigidity - effects the dampening of large horizontal forces. A low design is intrinsic to these dampers. The metal cap reduces the negative effect of the natural rubber's contact with lubricants and its ageing via direct exposure to UV-radiation in outdoor settings. Levelling is possible in the version with threaded inserts, or by applying countered levelling screws. Non-slip boards at the bottom are optionally available, where ground-bolting is not desired or possible.

version with 4-hole-flange

standard / A=tear-off protection / H=height-adjustable

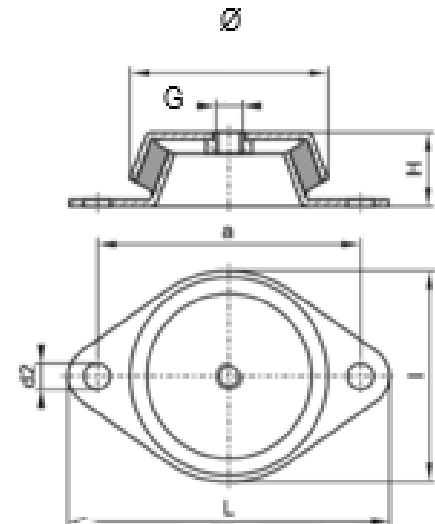


type										
description	article number	G	h	L	a	Ø	Ø2	version	shore	load
			mm	mm	mm	mm	mm		±5 Shore	daN
MP 168	1015 0400	M16	51	168	132	150	12,5	standard	40°	400
MP 168	1015 0401	M16	51	168	132	150	12,5	standard	60°	600
MP 168	1015 0402	M16	51	168	132	150	12,5	standard	70°	800
MP 168 A*	1015 0403	M16	51	168	132	150	12,5	tear-off protection	40°	400
MP 168 A	1015 0404	M16	51	168	132	150	12,5	tear-off protection	60°	600
MP 168 A	1015 0405	M16	51	168	132	150	12,5	tear-off protection	70°	800
MP 168 H ^{1*}	1015 0406	M20	51	168	132	150	12,5	¹ height-adjustable	40°	400
MP 168 H	1015 0407	M20	51	168	132	150	12,5	¹ height-adjustable	60°	600
MP 168 H	1015 0408	M20	51	168	132	150	12,5	¹ height-adjustable	70°	800
MP 184	1015 0420	M20	63	194	150	177	13	standard	40°	900
MP 184	1015 0421	M20	63	184	150	177	13	standard	60°	1400
MP 184	1015 0422	M20	63	184	150	177	13	standard	70°	2000
MP 184 A*	1015 0423	M20	63	184	150	177	13	tear-off protection	40°	900
MP 184 A*	1015 0424	M20	63	184	150	177	13	tear-off protection	60°	1400
MP 184 A*	1015 0425	M20	63	184	150	177	13	tear-off protection	70°	2000
MP 184 H ^{1*}	1015 0426	M20	63	184	150	177	13	¹ height-adjustable	40°	900
MP 184 H ^{1*}	1015 0427	M20	63	184	150	177	13	¹ height-adjustable	60°	1400
MP 184 H ^{1*}	1015 0428	M20	63	184	150	177	13	¹ height-adjustable	70°	2000

¹height-adjustable with thread M20x2x80
parts marked with * on request

version with 2-hole-flange

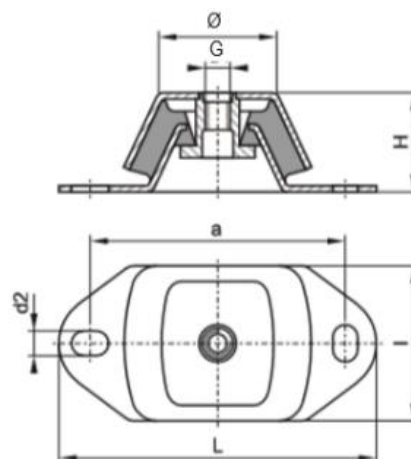
standard / A= tear-off protection



type											
		G	h	l	a	ø2	L	Ø	version	shore	load
description	article number	mm	mm	mm	mm	mm	mm	mm		±5 Shore	max. daN
MP 83	1015 0300	M8	23	53	68	8,2	83	48	standard	40°	40
MP 83	1015 0301	M8	23	53	68	8,2	83	48	standard	60°	80
MP 83	1515 0302	M8	23	53	68	8,2	83	48	standard	70°	80
MP 83 A*	1015 0303	M8	23	53	68	8,2	83	48	tear-off protection	40°	40
MP 83 A*	1015 0304	M8	23	53	68	8,2	83	48	tear-off protection	60°	80
MP 83 A*	1015 0305	M8	23	53	68	8,2	83	48	tear-off protection	70°	80
MP 110	1015 0310	M10	30	66	85	8,2	110	62	standard	40°	110
MP 110	1015 0311	M10	30	66	85	8,2	110	62	standard	60°	170
MP 110	1015 0312	M10	30	66	85	8,2	110	62	standard	70°	190
MP 110 A*	1015 0313	M10	30	66	85	8,2	110	62	tear-off protection	40°	110
MP 110 A	1015 0314	M10	30	66	85	8,2	110	62	tear-off protection	60°	170
MP 110 A*	1015 0315	M10	30	66	85	8,2	110	62	tear-off protection	70°	190
MP 128	1015 0320	M10	30	78	110	9,0	128	78	standard	40°	120
MP 128	1015 0321	M10	30	78	110	9,0	128	78	standard	60°	180
MP 128	1015 0322	M10	30	78	110	9,0	128	78	standard	70°	210
MP 128 A	1015 0323	M10	30	78	110	9,0	128	78	tear-off protection	40°	120
MP 128 A	1015 0324	M10	30	78	110	9,0	128	78	tear-off protection	60°	180
MP 128 A	1015 0325	M10	30	78	110	9,0	128	78	tear-off protection	70°	210
MP 140	1015 0330	M12	45	96	110	10,2	140	92	standard	40°	150
MP 140	1015 0331	M12	45	96	110	10,2	140	92	standard	60°	300
MP 140	1015 0332	M12	45	96	110	10,2	140	92	standard	70°	420
MP 140 A*	1015 0333	M12	45	96	110	10,2	140	92	tear-off protection	40°	150
MP 140 A	1015 0334	M12	45	96	110	10,2	140	92	tear-off protection	60°	300
MP 140 A*	1015 0335	M12	45	96	110	10,2	140	92	tear-off protection	70°	420
MP 170	1015 0340	M12	39	110	140	12,4	170	106	standard	40°	150
MP 170	1015 0341	M12	39	110	140	12,4	170	106	standard	60°	350
MP 170	1015 0342	M12	39	110	140	12,4	170	106	standard	70°	450
MP 170 A	1015 0343	M12	39	110	140	12,4	170	106	tear-off protection	40°	150
MP 170 A	1015 0344	M12	39	110	140	12,4	170	106	tear-off protection	60°	350
MP 170 A	1015 0345	M12	39	110	140	12,4	170	106	tear-off protection	70°	450
MP 234	1015 0350	M16	60	163	200	16,2	234	160	standard	40°	500
MP 234	1015 0351	M16	60	163	200	16,2	234	160	standard	60°	800
MP 234	1015 0352	M16	60	163	200	16,2	234	160	standard	70°	1000
MP 234 A*	1015 0353	M16	60	163	200	16,2	234	160	tear-off protection	40°	500
MP 234 A*	1015 0354	M16	60	163	200	16,2	234	160	tear-off protection	60°	800
MP 234 A*	1015 0355	M16	60	163	200	16,2	234	160	tear-off protection	70°	1000

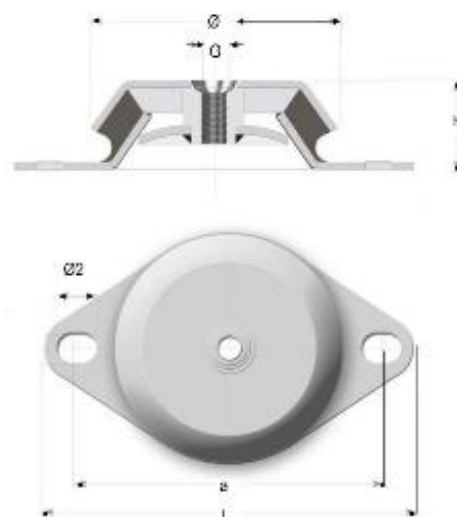
parts marked with * on request

version with elongated-hole-flange H / V
tear-off protection



type		G	h	l	a	ø2	L	Ø	version	shore	load
description	article number	mm	mm	mm	mm	mm	mm	mm		±5 Shore	max. daN
MP 120 AL	1015 0360	M10	40	61	100	11	120	60	tear-off protection	43°	20
MP 120 AL	1015 0361	M10	40	61	100	11	120	60	tear-off protection	57°	35
MP 120 AL	1015 0362	M10	40	61	100	11	120	60	tear-off protection	70°	50
MP 120 AL	1015 0363	M12	40	61	100	11	120	60	tear-off protection	40°	20
MP 120 AL	1015 0364	M12	40	61	100	11	120	60	tear-off protection	60°	35
MP 120 AL	1015 0365	M12	40	61	100	11	120	60	tear-off protection	70°	50
MP 183 A	1015 0370	M16	50	75	140	13	183	75	tear-off protection	43°	60
MP 183 A	1015 0371	M16	50	75	140	13	183	75	tear-off protection	60°	170
MP 183 A	1015 0372	M16	50	75	140	13	183	75	tear-off protection	43°	200
MP 230 A	1015 0380	M20	75	111	180	18	230	85	tear-off protection	40°	250
MP 230 A	1015 0381	M20	75	111	180	18	230	85	tear-off protection	60°	500
MP 230 A	1015 0382	M20	75	111	180	18	230	85	tear-off protection	70°	800

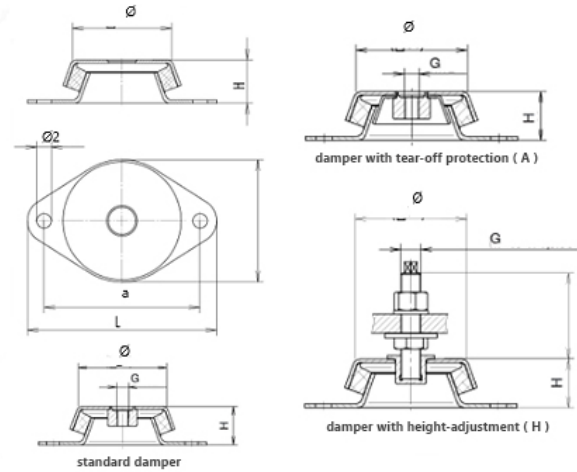
version with elongated-hole-flange I
tear-off protection



type		G	h	a	ø2	L	Ø	version	shore	load
description	article number	mm	mm	mm	mm	mm	mm		±5 Shore	max. daN
MP 106	1015 0020	M10	31	75-90	8,3x16	106	60-63	tear-off protection	40°	212
MP 106	1015 0021	M12	31	75-90	8,3x16	106	60-63	tear-off protection	60°	212

version with elongated-hole-flange II

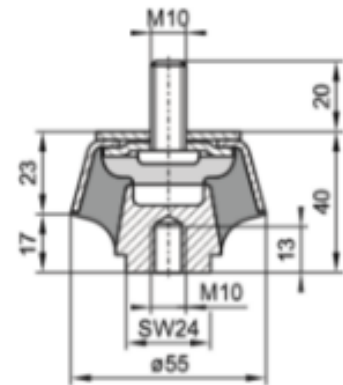
standard / A= tear-off protection / H=height-adjustable



type										
		G	h	a	Ø2	L	Ø	version	shore	load
description	article number		mm	mm	mm	mm	mm		±5 Shore	max. daN
MP 216	1015 0100	M16	52	184	12,5x14,5	216	113	standard	43°	350
MP 216	1015 0101	M16	52	184	12,5x14,5	216	113	standard	57°	650
MP 216	1015 0102	M16	52	184	12,5x14,5	216	113	standard	68°	1000
MP 216 A	1015 0103	M16	52	184	12,5x14,5	216	113	tear-off protection	43°	350
MP 216 A	1015 0104	M16	52	184	12,5x14,5	216	113	tear-off protection	57°	650
MP 216 A	1015 0105	M16	52	184	12,5x14,5	216	113	tear-off protection	68°	1000
MP 216 H	1015 0106	M16	52	184	12,5x14,5	216	113	height-adjustable	43°	350
MP 216 H	1015 0107	M16	52	184	12,5x14,5	216	113	height-adjustable	57°	650
MP 216 H	1015 0108	M16	52	184	12,5x14,5	216	113	height-adjustable	68°	1000

version circular-shape

standard



type							
		G	h	Ø	SW	shore	load
description	article number	mm	mm	mm		±5 Shore	max. daN
MP 55012	1015 0150	M10	40/60	55	24	40°	150
MP 55012	1015 0151	M10	40/60	55	24	60°	100
MP 55012	1015 0152	M10	40/60	55	24	70°	150

Technical modifications subject to change! Any previous versions of this document are herewith null and void!