

air-cushion vibration dampers
series FLN
assembly instruction



assembly instruction for air-cushion vibration dampers FLN

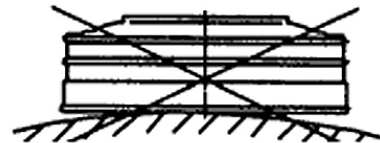
Please read prior to installation.

in general:

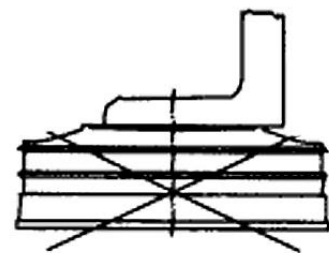
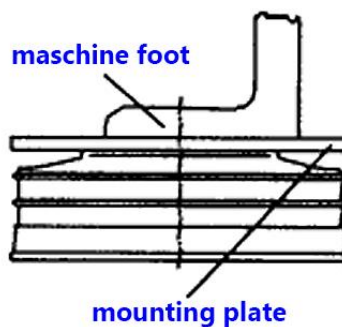
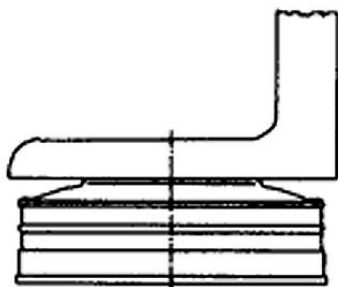
never inflate the air-cushion vibration dampers FLN in un-mounted state
 never exceed the max. load capacity
 max. operational pressure: 5 bar respectively 6 bar
 max. mounting height H max. to be observed

1. to be checked prior to mounting

- a. Is the ground contact surface of the air-cushion vibration dampers FLN flat / even?

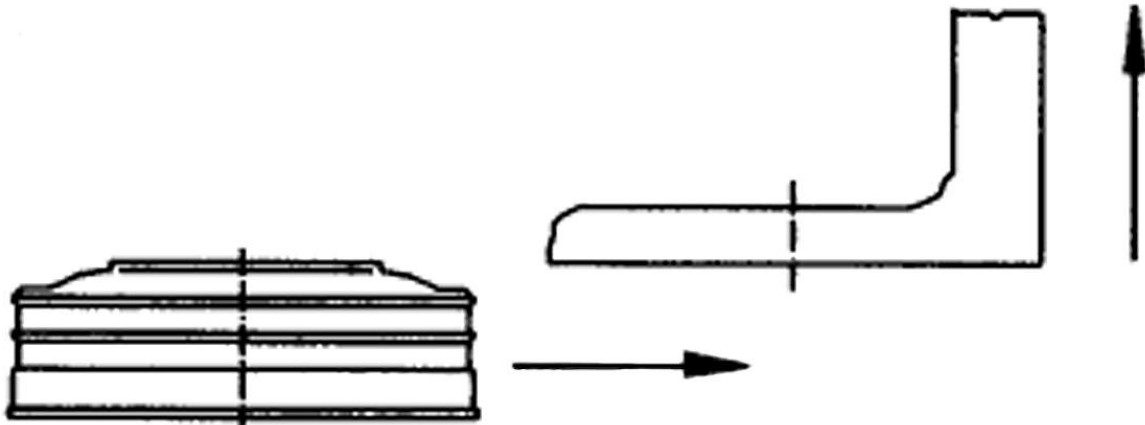


- b. Does the machine foot cover the air-cushion vibration dampers FLN full-faced and flat / even?
 If not, the use of mounting plates for air-cushion vibration dampers FLN is compulsory!



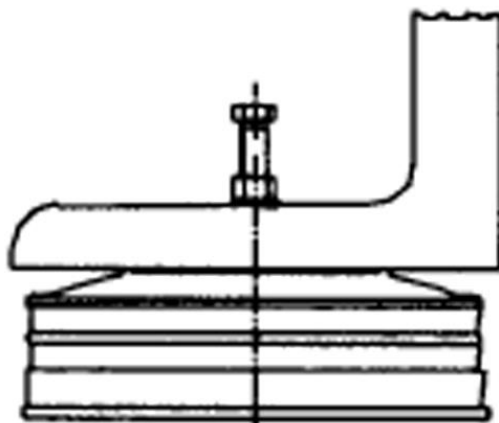
2. machine mounting

- lift machine
- place air-cushion vibration dampers FLN (and mounting plate, if applicable) underneath in pressure-less state
- align air-cushion vibration dampers FLN (accessibility of the valve to be kept in mind)



3. fastening of air-cushion vibration dampers FLN

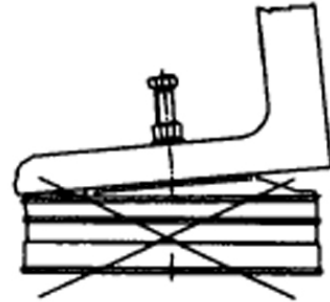
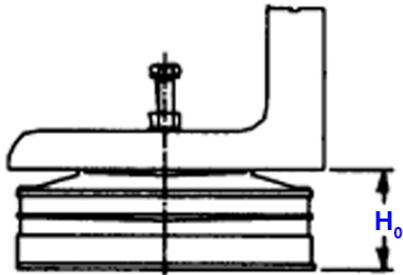
- tighten the screw in the air-cushion vibration dampers FLN by hand
- use a spanner to fasten air-cushion vibration dampers FLN and machine with the nut



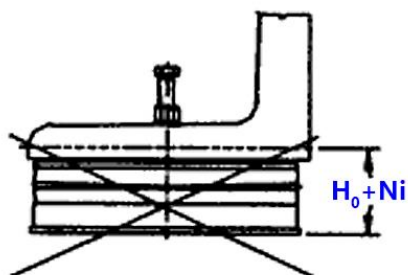
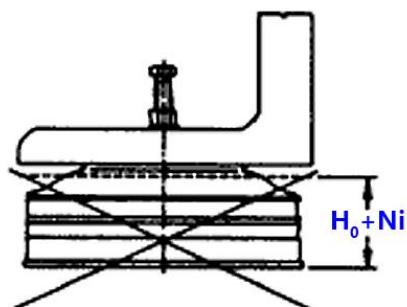
4. levelling of air-cushion vibration dampers FLN

Note: levelling only via change of air-pressure.

- a. pump air-cushion vibration dampers FLN evenly to height H_0



- b. level the machine



- c. Do not exceed levelling range Ni !

A potential lack of extra levelling height can be compensated via the use of mounting plates.
Falling below H_0 is not permissible for elements with integrated viscose damper!

5. anchoring of the air-cushion vibration dampers FLN

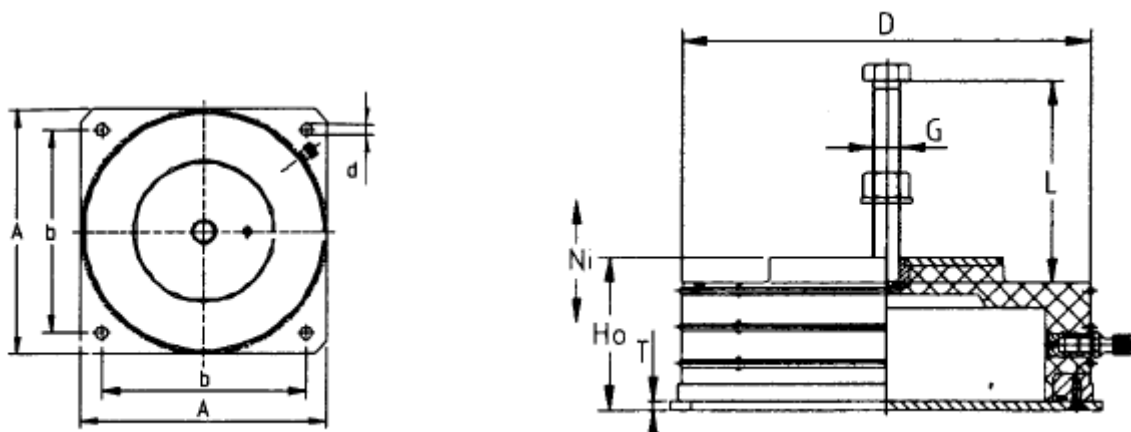
anchoring of the air-cushion vibration dampers FLN is possible via the holes placed in the base plate

6. maintenance of the air-cushion vibration dampers FLN

Checking of the air-pressure only when the machine is in stand-still!

7. de-loading, dis-mounting the air-cushion vibration dampers FLN

de-ventilate the air-cushion vibration dampers FLN completely prior to de-loading and dis-mounting



Technical modifications subject to change! Any previous versions of this document are herewith null and void!